

SPAZIO

Automations for sectional and spring garage doors



24V DC operators

with control board incorporated and limit switches

COD.	Art.	EN	12453	12445	124RRZ*	OTHER CHARACTERISTICS	
485101	703S	EN 12453	EN 12445	100kg	• •	124RRZ*	<ul style="list-style-type: none"> - Limit switches - Anti-crushing safety device - Speed adjustment and slow down in opening and closing

***124RRZ: enhanced version for higher power**

All models have: 1 remote control art.TR2 included - track not included

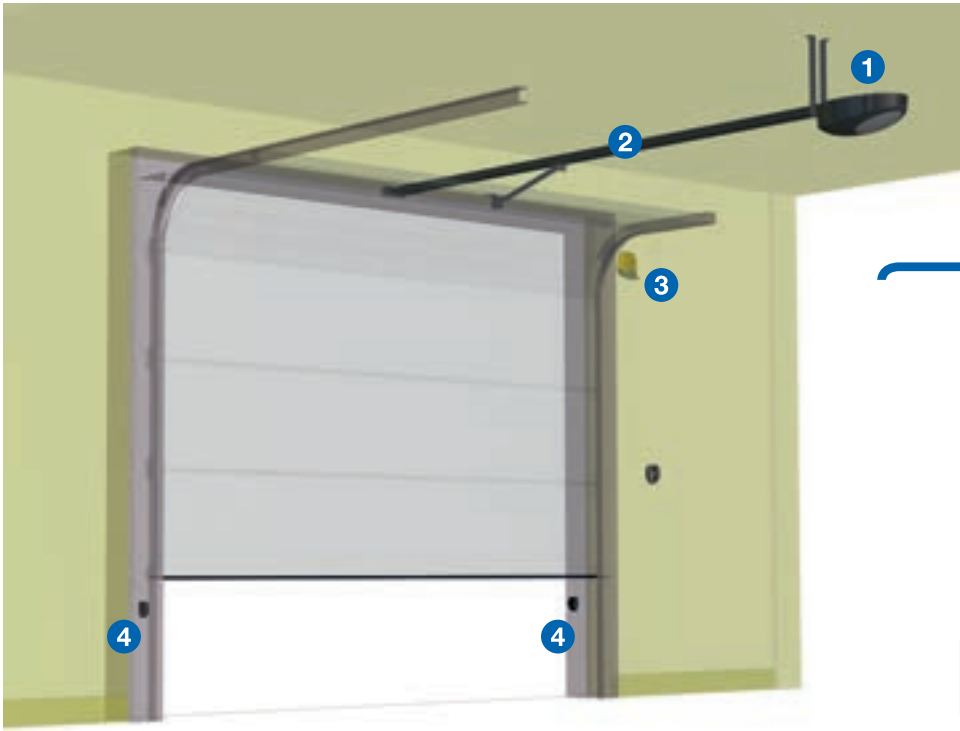
Aluminium tracks:



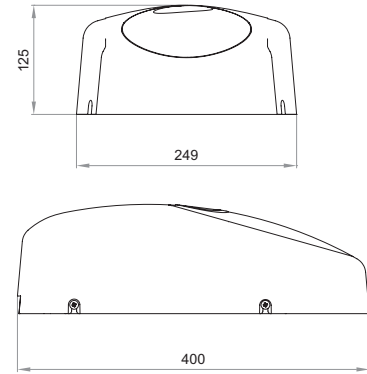
COD.	Art.	CHARACTERISTICS
485071	714	Standard track 2820mm (two pieces)
485074	728	Preassembled track 2820mm (single piece)
485072	731	Preassembled track 3100mm (single piece)
485073	736	Preassembled track 3600mm (single piece)
639300	720	Chain and track extension L=1000mm


TECHNICAL INFO	703S
Motor power supply (V)	24V DC
Maximum power absorption (W)	230
Max thrust (N)	1000
Duty cycle (cycles/hours)	25
N. max cycles in 24h.	75
Operating temperature (°C)	-20 ÷ 50
Speed (m/min)	6,9
Weight with packing (Kg)	15
Protection level	IP20

EXAMPLE OF A TYPICAL INSTALLATION





DIMENSIONS



 <p>1</p> <p>Cod. 485101 Art. 703S Automations for sectional doors</p>	 <p>2</p> <p>Cod. 485073 Art. 736 Preassembled track 3600mm (single piece)</p>	 <p>3</p> <p>Cod. 661082 Art. LED24AI Led flashing light 24V with built-in antenna 433MHz</p>
 <p>4</p> <p>Cod. 662030 Art. 104LUX Pair of adjustable (15°) surface mounted photocells</p>	 <p>Cod. 672580 Art. TR2 2 channels remote control Black version art. TR2N also available (page 132)</p>	 <p>Cod. 668010 Art. 127 Warning sign</p>

SPECIFIC ACCESSORIES

 <p>Cod. 639320 Art. 721B Unlocking device by cable (4m). Compatible with art. 721M and BLINDOS</p>	 <p>Cod. 665000 Art. BLINDOS Safety enclosure to place external unlocking device handle</p>	 <p>Cod. 639340 Art. 722 Arm to be used with counterweight doors</p>
 <p>Cod. 639330 Art. 721C Special lever to unlock mechanical locks</p>	 <p>Cod. 639311 Art. 721M Unlocking handle for sectional doors</p>	 <p>Cod. 639372 Art. 762C Unlocking device by cable with lock</p>
 <p>Cod. 639350 Art. 723 Arm adaptor for sectional doors</p>	 <p>Cod. 639371 Art. 761C External unlocking device complete with a hole cover lock</p>	 <p>Cod. 179006 Art. 240E Tuned antenna 433MHz to be mounted on SPAZIO/ADVANCE</p>
 <p>Cod. 662070 Art. 104SEZ Pair of patented system photocells for the total protection of sectional doors: to avoid impact measurements, as required by En standards</p>	 <p>Cod. 639510 Art. SR Unlocking device by two cables</p>	