

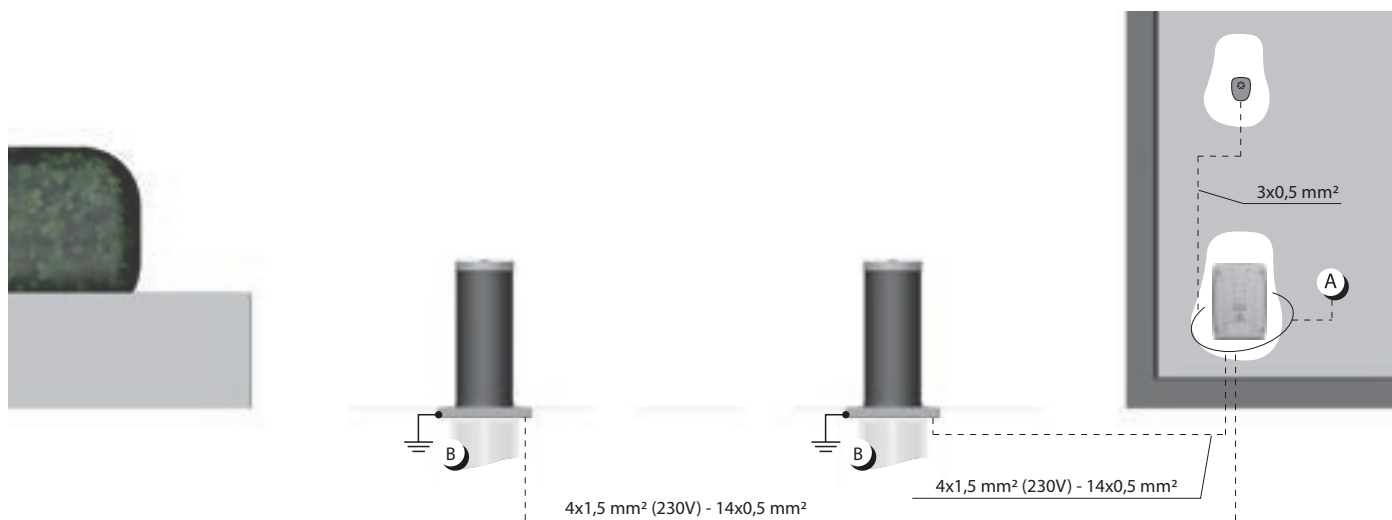


230V AC

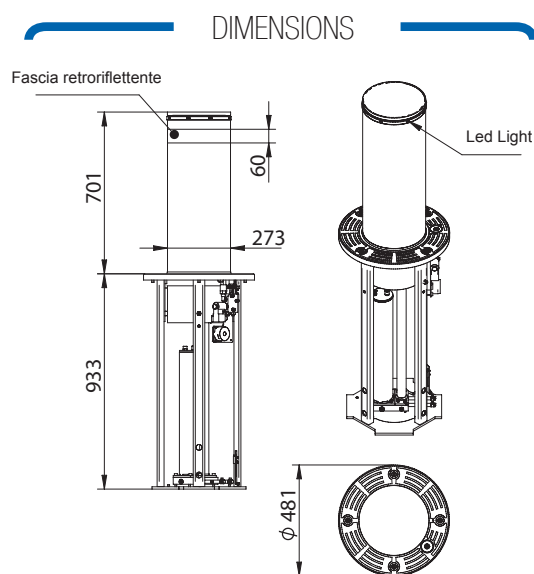
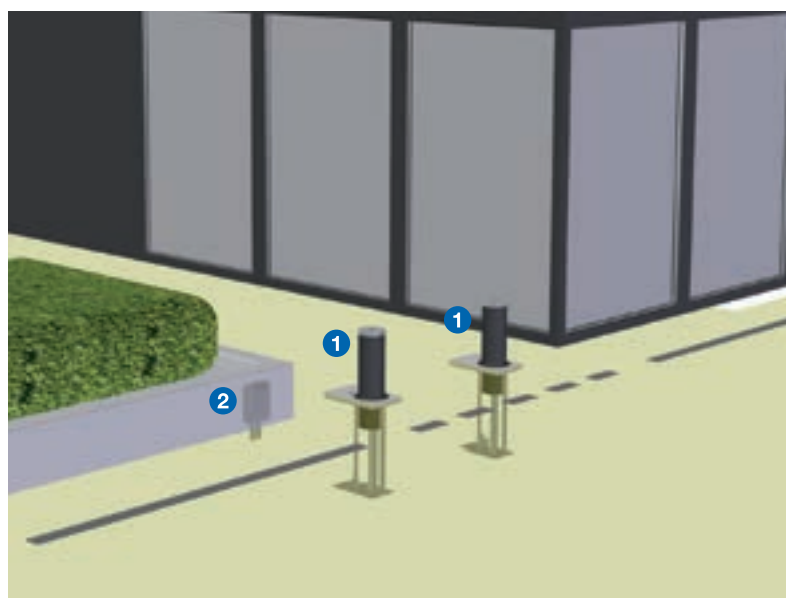
COD.	Art.						OTHER CHARACTERISTICS
650034	LIFT/300-4	• • •	273mm	700mm	4mm		- Extractable galvanized pipe
650035	LIFT/300-5	• • •	273mm	700mm	4mm	•	- Galvanized framework - Collector with emergency manual release
650036	LIFT/300-6	• • •	273mm	700mm	12mm		- LED diffusers - 2 limit switches
650037	LIFT/300-7	• • •	273mm	700mm	12mm	•	- Reflecting film with high bright response

All models have: stainless steel version available on demand

TECHNICAL INFO	300
Motor power supply (V)	230V AC ± 10 % (50/60 Hz)
Maximum power absorption (W)	500
Max thrust (N)	1900
Duty cycle (cycles/hours)	100
N. max cycles in 24h.	1200
Built-in capacitor (µF)	12,5 µF
Operating temperature (°C)	0 ÷ 60
Motor thermal protection (°C)	140
Opening time (s)	6,5
Weight with packing (Kg)	98 ÷ 180
Protection level	IP54
Impact Resistance	29.000 J



EXAMPLE OF A TYPICAL INSTALLATION




1



Cod. 650030
Art. LIFT/300
Hydraulic retractable bollard


2




Cod. 677580
Art. LIFT/QE
230V control panel for the managing of 4 bollards




Cod. 662030
Art. 104LUX
Pair of adjustable (15°) surface mounted photocells



Cod. 664000
Art. PILLY/60
Pair of aluminium columns for photocells, height 55 cm



Cod. 667061
Art. LOOP 230/1
Loop detector, 1 channel



Cod. 681030
Art. SMF230/2
Traffic light with red-green lights 230V

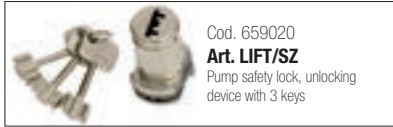


Cod. 668010
Art. 127
Warning sign

SPECIFIC ACCESSORIES



Cod. 677580
Art. LIFT/QE
230V control panel for the managing of 4 bollards



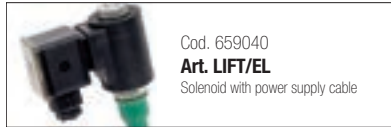
Cod. 659020
Art. LIFT/SZ
Pump safety lock, unlocking device with 3 keys



Cod. 667061
Art. LOOP 230/1
Loop detector, 1 channel



Cod. 659030
Art. LIFT/RS
Sonorous recognizer for emergency vehicles



Cod. 659040
Art. LIFT/EL
Solenoid with power supply cable



Cod. 667071
Art. LOOP 230/2
Loop detector, 2 channels



Cod. 659010
Art. LIFT/SA
230V audible warning device, IP67



Cod. 659060
Art. LIFT/RE
Antifreeze heater

OTHER ACCESSORIES



Cod. 672580
Art. TR2
2 channels remote control
Black version art. TR2N also available (page 132)



Cod. 672590
Art. TR4
4 channels remote control
Black version art. TR4N also available (page 132)



Cod. 662020
Art. 104MINILUX
Pair of surface mounted photocells.



Cod. 662030
Art. 104LUX
Pair of adjustable (15°) surface mounted photocells



Cod. 663030
Art. 102LUX
Keyswitch with two contacts, surface mounted. Supplied with 2 keys.



Cod. 681060
Art. COVER
Vandal-proof aluminium cover for art. LINEAR and LINEAR/B



Cod. 662044
Art. LINEAR
Pair of adjustable photocells (180°) with possibility of synchronized operating. Range 20m



Cod. 663060
Art. KYO
Aluminium vandal-proof keyswitch, surface mounted.



Cod. 663280
Art. DIGIRAD
Wireless keypad



Cod. 664010
Art. PILLY/120
Pair of aluminium columns for photocells, height 100cm



Cod. 664000
Art. PILLY/60
Pair of aluminium columns for photocells, height 55 cm



Cod. 664020
Art. PILLY/base
Pair of fixing plates for columns to be cemented.