


WILL-G

Universal operator for balanced roller shutters



230V AC operators

Without control board

COD.	Art.				OTHER CHARACTERISTICS
634020*	WILL-G/140SE	140 kg	• •	Ø 60mm	With electrobrake and micrometer limit switches Complete with internal adapters for shaft Ø=48mm and external adapters for spring boxes Ø=220mm

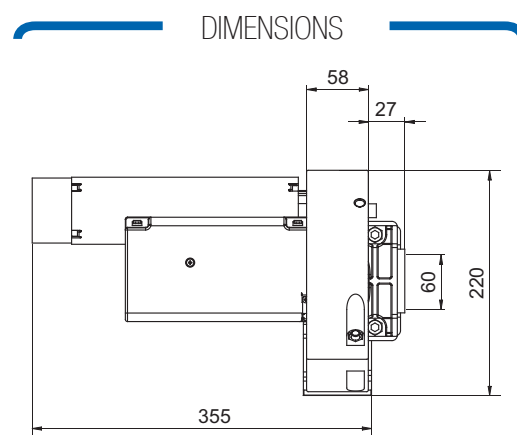
Control board to complete the installation: control board cod. 677540 art. 211ER/C (with box)

* In order to respect the limit of impact forces foreseen by EN 13241-1, you must use the external safety devices in compliance with EN 12978.

TECHNICAL INFO	WILL-G/140SE
Motor power supply (V)	230V AC ± 10 % (50/60 Hz)
Maximum power absorption (W)	480
Max torque (Nm)	140
Built-in capacitor (µF)	12,5
Operating temperature (°C)	-5 ÷ 40
Motor thermal protection (°C)	160°
Max. operating time	4'
Speed (rpm)	10
Maximum clear opening (number of pulley turns)	8
Weight with packing (Kg)	8
Protection level	IP42



EXAMPLE OF A TYPICAL INSTALLATION



Cod. 634020
Art. WILL-G/140 SE
Operator for 140kg roller shutter



Cod. 677540
Art. 211ER/C
Control panel (with box 100A) for the automation of 230V operators for roller shutters with built in 433MHz. radio receiver



Cod. 663060
Art. KYO
Aluminium vandal-proof keyswitch, surface mounted.



Cod. 672580
Art. TR2
2 channels remote control
Black version art. TR2N also available (page 132)



Cod. 665000
Art. BLINDOS
Safety enclosure to place external unlocking device handle



Cod. 668010
Art. 127
Warning sign